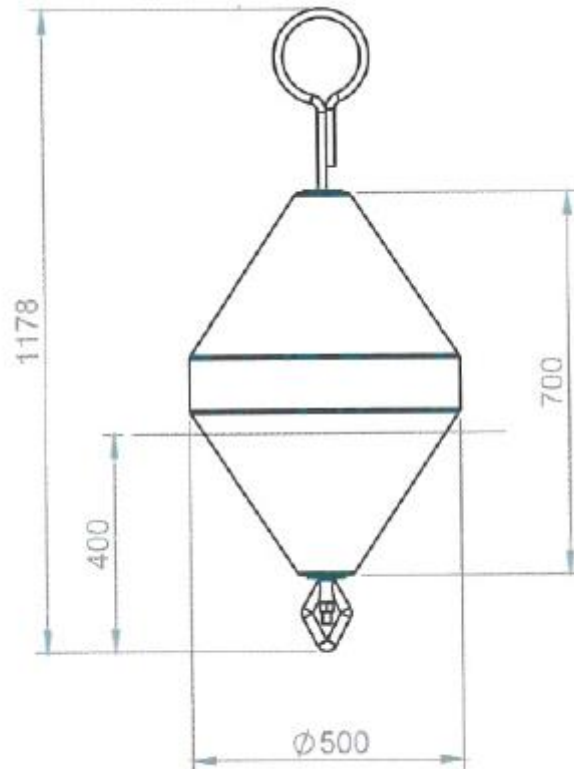


FLCMOOR500

Diameter 500mm mooring buoy



General Specifications	FLCMOOR500
Diameter (mm)	500
Height (mm)	1180
Weight (kg)	11
Volume (l)	68

Material specifications	
Float	Rotationally molded UV stabilized Polyethylene
Filling	Polyurethane Foam 40 kg/m ³
Structure	Hot dip galvanized steel