

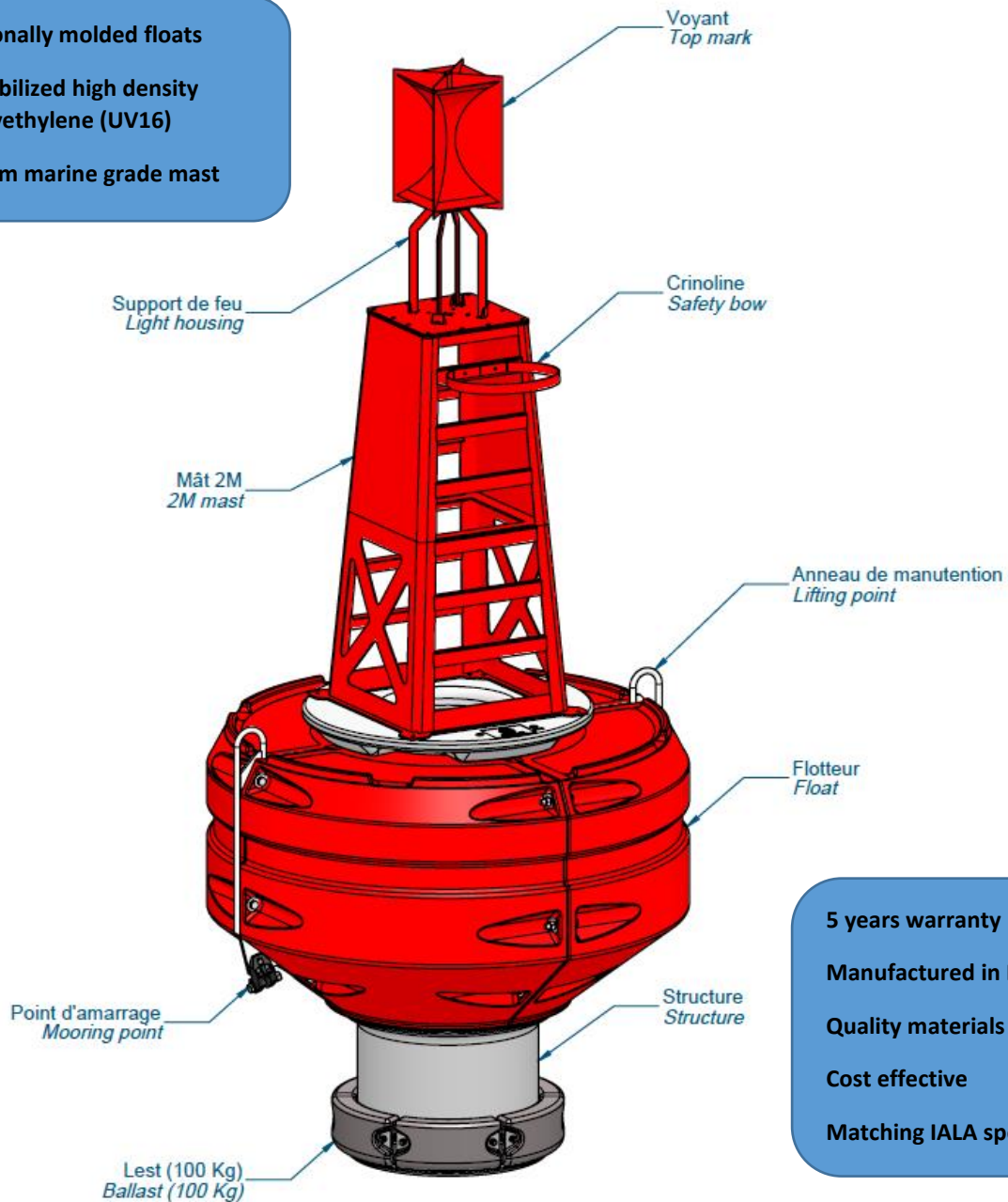
## FLC2400 Marine Buoy

Polyethylene high density structure, Simplified mast

Rotationally molded floats

UV stabilized high density  
Polyethylene (UV16)

Aluminum marine grade mast



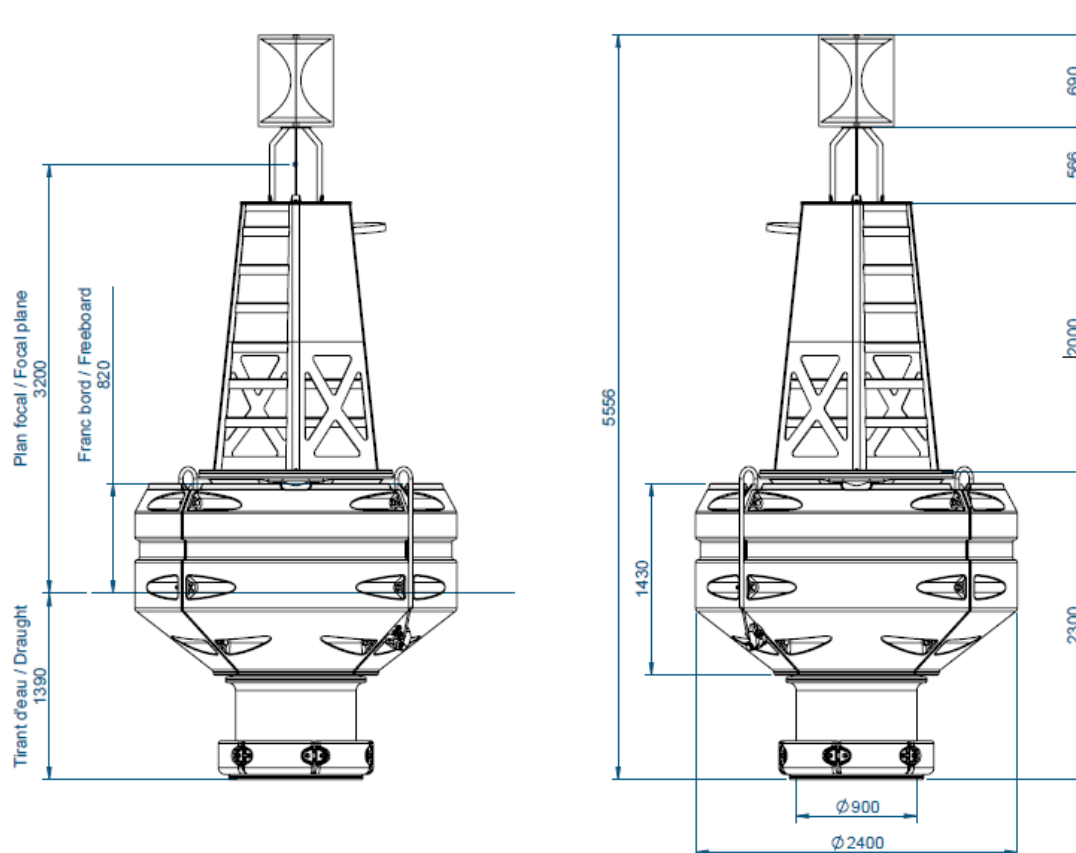
5 years warranty

Manufactured in France

Quality materials

Cost effective

Matching IALA specifications



#### Technical data

Diameter	2400 mm
Height	5556 mm (can vary according to the different topmarks)
Volume	4000 liters
Draught	1390 mm
Freeboard	820 mm
Mast	2000 mm
Weight with ballasts	1470 kg
Visible area	From 4.1 m <sup>2</sup>

#### Materials

Lifting and Mooring Points	S355 galvanized steel (SS316 option available)
Float	4 independent floats. UV-stabilized (UV16) Polyethylene medium density. Rotational molding. Not foamed.
Structure	Polyethylene high density
Mast	Aluminum 5083/5086 marine grade 2 meters. Powder coated.
Colors	Pigments matching IALA specifications directly integrated into the polyethylene during rotational molding for no painting ever.
Ladder	Aluminum 5083/5086 marine grade
Ballasts	Cast Iron. Removable.
Topmark	Powder coated aluminum
Radar Reflector	Aluminum 5083/5086 marine grade
Eco friendly	Recyclable polyethylene. Heavy metal free. No ecological damages