

## FullOceans Tracking System

Connect your buoys & optimize management and maintenance

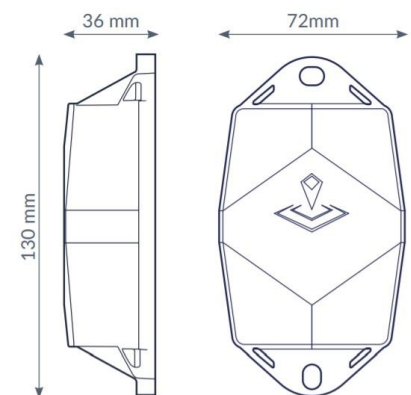
Complete solution: Tracker, Embedded software, Network Communication and Monitoring platform

Monitor GPS position of buoys

Detect mooring failures

Detect possible damages from waves, collisions, theft ...

Email alerts



### Connectivity

#### Sigfox

- Energy efficient transceiver
- Internal omnidirectional antenna
- Bi-directional communication

#### Extended Sigfox Worldwide coverage

- All regions: RC1/RC2/RC3/RC4/RC5/RC6/RC7
- Up to 15 km from coastline
- [www.sigfox.com/en/coverage](http://www.sigfox.com/en/coverage)

### Characteristics

#### Sensor

- 3-axis accelerometer
- Magnetic operated switch
- Battery voltage

#### Water & dust resistance

IP68 & IP69K with automotive-grade venting membrane

Impact resistance: IK10 (frontal impact)

All antennas are internal

Operating temperature: -20 to 60°C

Size: 130x72x36 mm

Storage temperature: -40 to 85°C

Weight: 200 gram

#### Battery

- Replaceable battery pack (Li-SOCl<sub>2</sub>) 8 400 mAh 3.6 V
- 3 to 8 years battery life depending on operating mode

Color: Translucent black

UV-stabilized

## Online management & setting

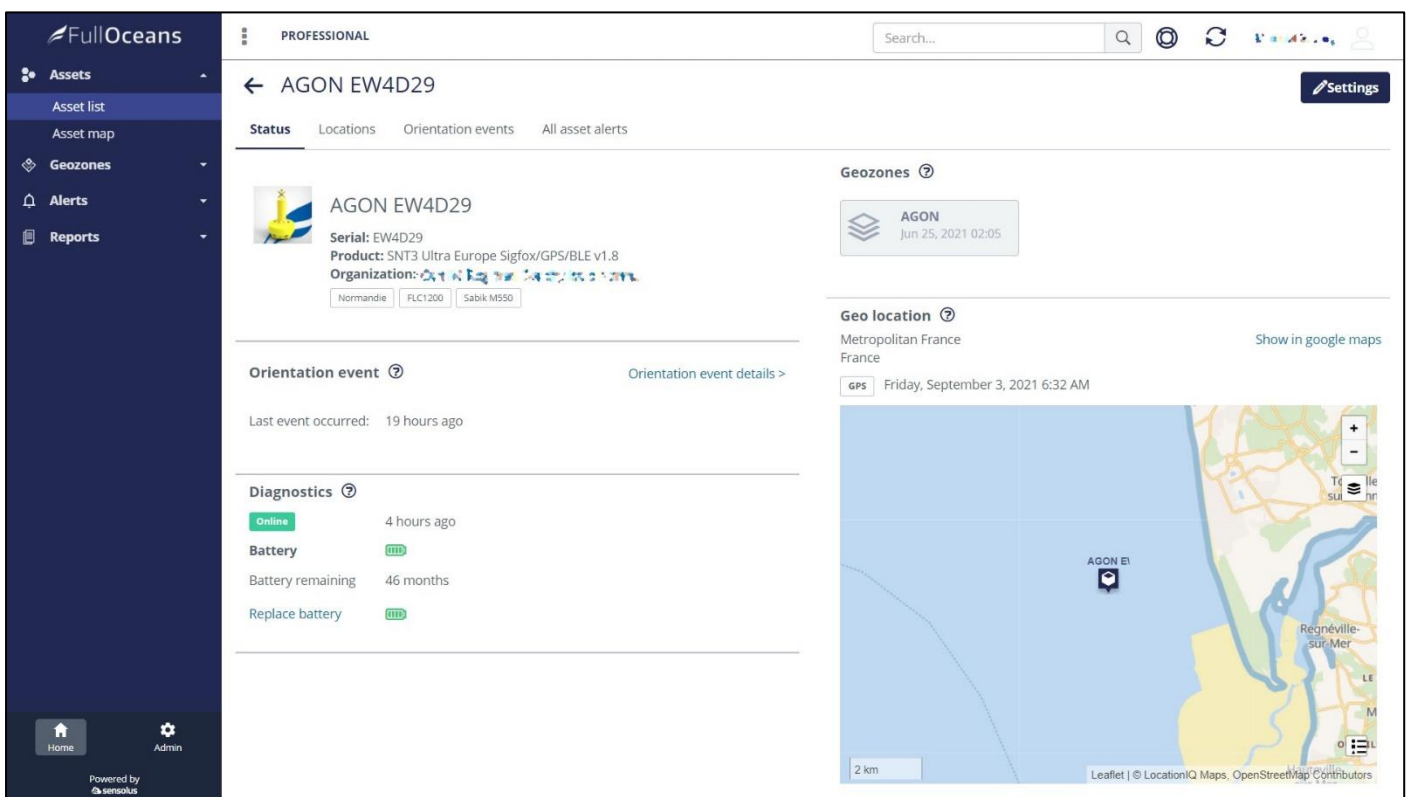
### GPS localization

- GPS position every 4 hours on standard setting (every hours on request)
- GeoZone definitions (circle or polygon)
- Alerts (email) when leaving a GeoZone

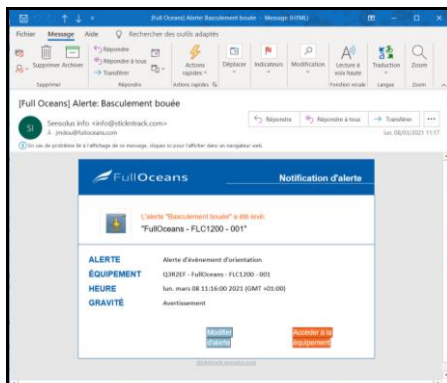
### Orientation events

- Major swinging changes (more than 50 degrees, other configurations available on request)
- Alerts (email) when reaching a defined configuration

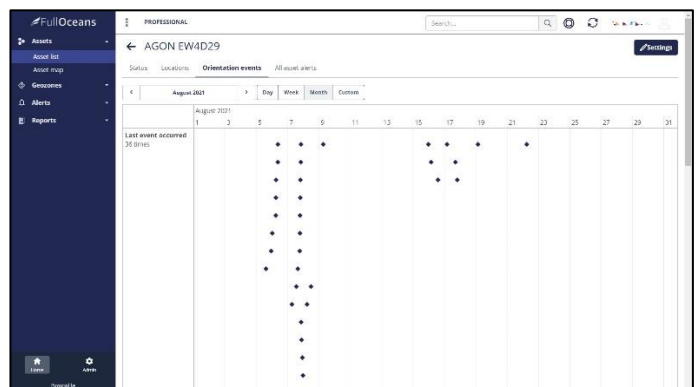
And much more: customization of tracker-buoys, multi users, battery and offline alerts, global map of all trackers ...



*Buoy overview and position*



*Alert email*



|          |     |
|----------|-----|
| Ref.     | DC3 |
| 21/10/27 |     |

*Orientation events*